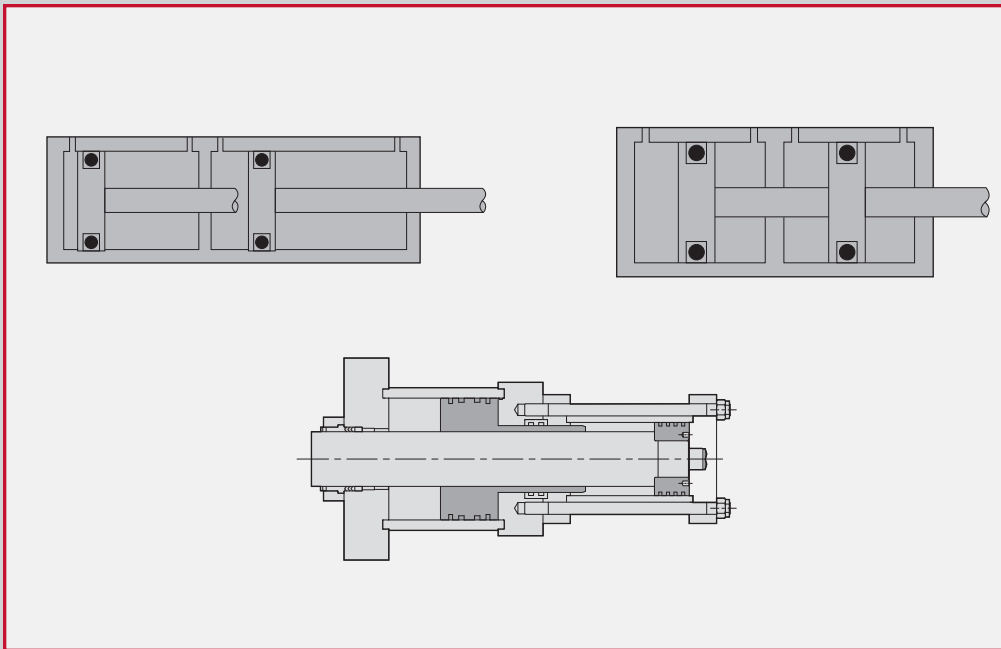


Power Boost Cylinders



Multi-chamber cylinders offering boost force for all or part of the cylinder travel

Designs available for:

- Front Travel Boost
- Back Travel Boost
- Entire Travel

Perfect for:

- Die Cast
- Trimming
- Pressing
- Small Footprint Applications

Specials are our standard – design is adaptable to your needs

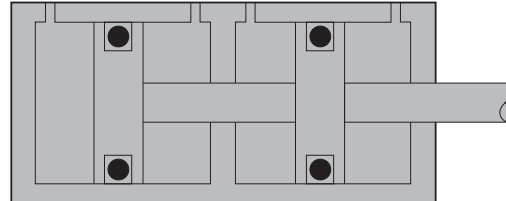


Power Boost Cylinders are multi-chamber solutions that allow boosted linear force over part or all of the cylinder travel. Milwaukee Cylinder custom designs and

manufacturers these cylinders according to the application requirements. Three technologies are shown below.

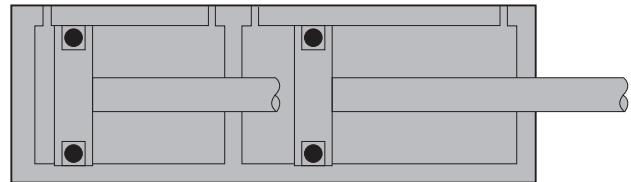
TANDEM CYLINDER

Designed with 2 or more chambers with connecting pistons, delivering compact force multiplication over the cylinder's full linear travel. Force multiplication is available in the extend and retract motion.



DUPLEX CYLINDER

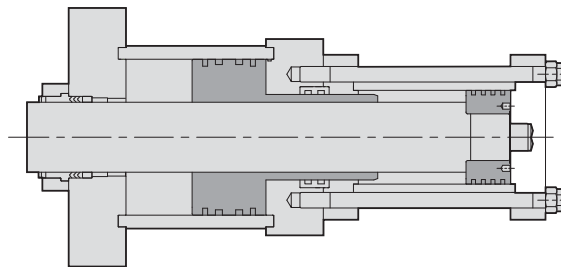
Designed with 2 or more chambers with only push connections between pistons, delivering compact force multiplication over a user defined portion of the extend travel.



In addition, the independent chamber design allows the cylinder to produce different fixed stroke lengths.

KICK-OUT CYLINDER

Designed with 2 chambers with only push connections between pistons, delivering compact force multiplication over a user defined portion of the retract travel.



Your *Milwaukee Cylinder* Distributor



www.milwaukeeecylinder.com/idea-center.asp

Visit the Idea Center for videos of these technologies and more